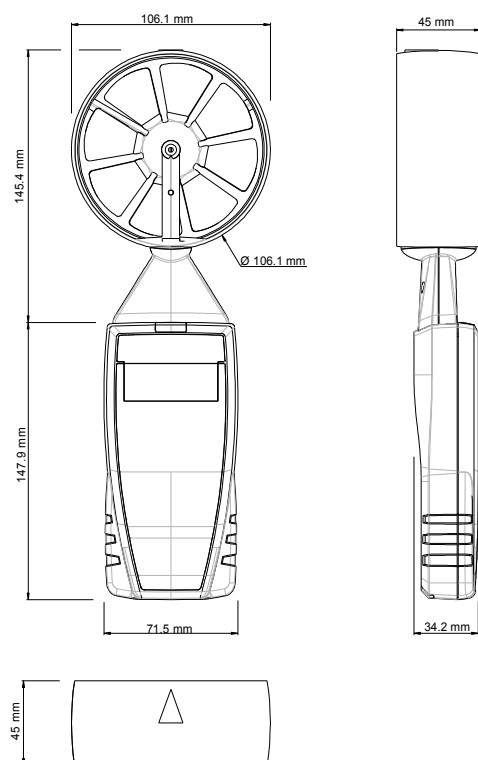


Propeller Thermo-anemometer LV 50

KEY POINTS

- Easy to use
- HOLD function
- Built-in propeller
- Auto shut-off : 20 minutes

FEATURES OF THE HOUSING



Material : ABS

Protection : IP54

Display : 1 line
LCD 1 x 5 digits
Size : 50 x 20 mm

Height of digits :
Values : 9.2 mm
Units : 4.7 mm

Diameter of the propeller : 100 mm

Weight : 200 g (with batteries)



TECHNICAL FEATURES

Parameter	Temperature	Velocity
Measuring units	°C, °F	m/s, fpm, km/h
Measuring range	From -20 to +80 °C	From 0.3 to 35 m/s
Accuracy*	±0.4% of reading ±0.3°C	From 0.3 to 3 m/s : ±3% of reading ±0.1 m/s From 3.1 to 35 m/s : ±1% of reading ±0.3 m/s
Resolution	0.1 °C	From 0.3 to 3 m/s : 0.01 m/s From 3.1 to 35 m/s : 0.1 m/s
Response time	T63 = 5 s	T63 = 4 s
Measuring elements	CTN	Hall effect sensor
Operating temperature	From 0 to +50 °C	
Storage temperature	From -20 to +80 °C	
Power supply	4 batteries AAA LR03 1.5 V	
Battery life	70 hours	
Conformity	Directives CEM 2004/108/CE and NF EN 61010-1	

* All the accuracies indicated in this technical datasheet were stated in laboratory conditions, and can be guaranteed for measurements carried out in the same conditions, or carried out with calibration compensation

SUPPLIED WITH

Instruments are supplied with an adjustment certificate and a soft case.



ACCESSORIES

- Adjustment certificate
- Soft case
- Magnetic protective housing



MAINTENANCE

We carry out calibration, adjustment and maintenance of your instruments to guarantee a constant level of quality of your measurements. As part of Quality Assurance Standards, we recommend you to carry out a yearly checking.

GUARANTEE

Instruments have 1-year guarantee for any manufacturing defect (return to our After-Sales Service required for appraisal).

USE OF THE INSTRUMENT

Take a measurement

- Switch on the instrument by pressing on « **On/Off/Hold** ».
The instrument displays its name « LV50 », then the measured value.
- Press briefly on « **Select** » to move from the velocity measurement to the temperature measurement.

Hold the measurement

During measurement:

- Press briefly on « **On/Off/Hold** » to hold measurement.
« Hold » appears on the screen and temperature and velocity measurements are fixed.
- Press briefly on « **Select** » to move from one parameter to the other.
- Press again briefly on « **On/Off/Hold** » to exit the Hold function.

Change the velocity unit

- Press briefly on « **Select** » up to display the velocity.
- Pressing longer on « **Select** » to change the velocity unit.
- Press briefly on « **Select** » to select the unit: m/s, fpm, km/h.
- Pressing longer on « **Select** » to validate unit and return to the normal measuring mode.

Change the temperature unit

- Press briefly on « **Select** » up to display the temperature.
- Pressing longer on « **Select** » to change the temperature unit.
- Press briefly on « **Select** » to select unit : °C or °F.
- Pressing longer on « **Select** » to confirm unit and return to the normal measuring mode.

How to change batteries

- Remove the front part at the back of the instrument.
- Replace used batteries by new batteries AAA LR03 1.5 V.
- Replace the front.

Auto shut-off : the instrument switches off if not used during 20 minutes.



Once returned to KIMO, required waste collection will be assured in the respect of the environment in accordance to 2002/96/CE guidelines relating to WEEE.

www.kimo.fr

Distributed by :



EXPORT DEPARTMENT

Tel : + 33. 1. 60. 06. 69. 25 - Fax : + 33. 1. 60. 06. 69. 29

e-mail : export@kimo.fr

